

THE NEW LANDSCAPE OF OUTDOOR AUDIO

Sonance continues its award-winning audio philosophy outdoors, with a range of all-weather products that are designed to deliver best-in-class performance and best looking aesthetics in every exterior environment. From courtyards and patios to entire residential estates and resort gardens, Sonance is the undisputed leader in high fidelity sound for the great outdoors.



TRADITIONAL SPEAKER PLACEMENT

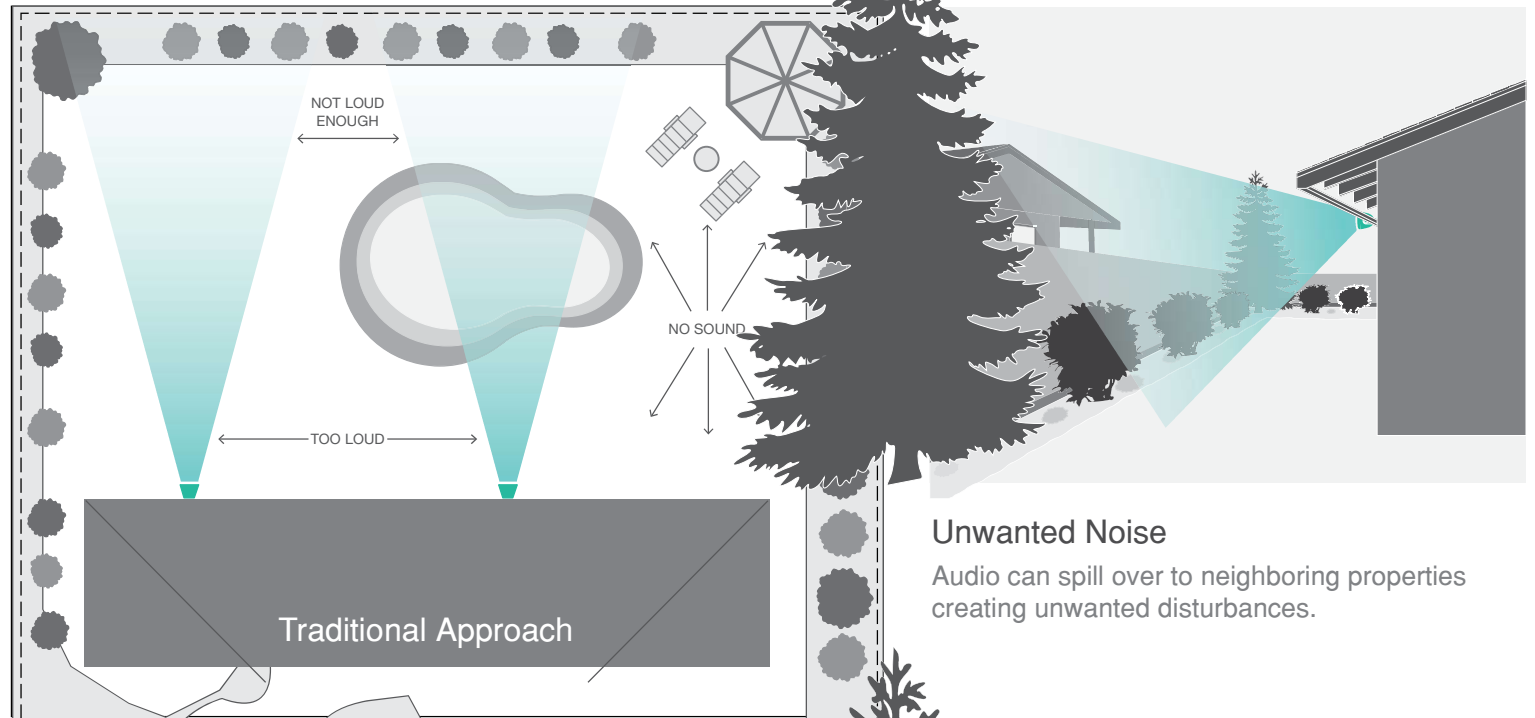
In typical outdoor audio installations a pair of speakers are placed in one location and usually on the same plane. The result can produce various undesirable effects.

Uneven Volume

Speaker placement in one location creates very loud areas near those speakers and little to no sound further away. This can impact furniture arrangements and natural gathering areas.

Unbalanced Coverage

It is easy to move in and out of the left and right channels and miss discrete information in the audio.



Unwanted Noise

Audio can spill over to neighboring properties creating unwanted disturbances.

A BETTER APPROACH

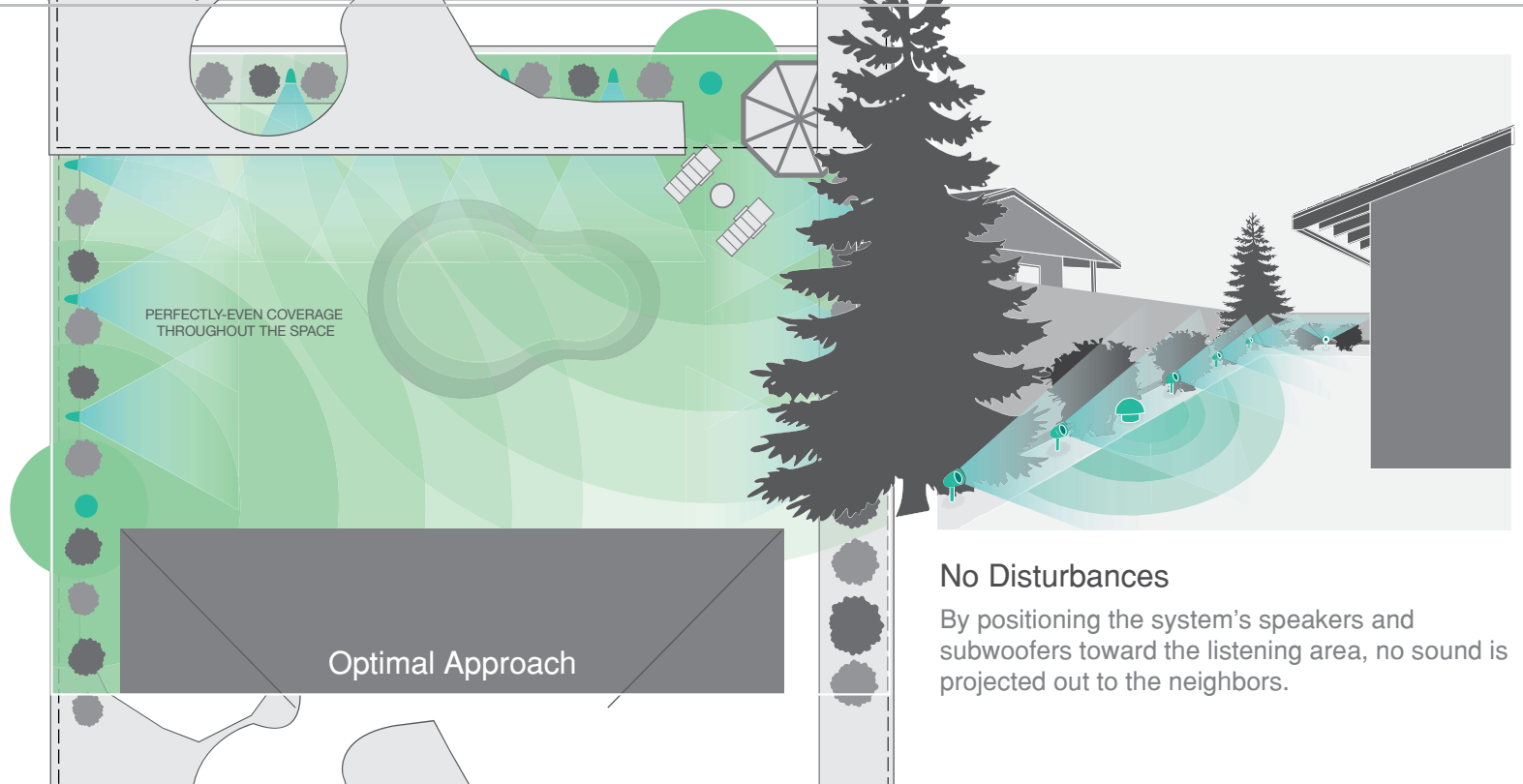
Creating a system composed of satellite speakers, subwoofers, amplifiers and DSP technology helps envelop a space fully in clear and balanced audio.

Even Volume

This approach is similar to a well layered lighting design that has no hot spots or dark spots, but rather provides smooth even coverage throughout the area.

Immersive Sound

With satellite speakers and buried subwoofers strategically arranged around the perimeter of the property, audio is able to cover the area from all angles and comfortably immerse the audience.



No Disturbances

By positioning the system's speakers and subwoofers toward the listening area, no sound is projected out to the neighbors.

SONANCE LANDSCAPE SERIES

Sonance Landscape Series is a fully scalable and bespoke premium outdoor audio system that delivers perfectly even coverage and unbelievable sound quality throughout any size space. Capable of impeccable fidelity at any volume and powerful output while hidden among landscape elements, SLS continues the Sonance standard of performance and design working in harmony to deliver an exceptional experience in any outdoor environment.

Fully Scalable and Totally Expandable



Sonance Landscape Series speakers and subwoofers feature the Sonance Laminated Core Transformer with an adjustable tap for custom system configuration in any application.

Flexibility for 8 Ohm or 70V/100V settings, SLS speakers and subwoofers can be easily tuned for large open spaces with many speakers or intimate areas with few speakers, optimizing each piece of the system for a completely tailored experience.



SONANCE LANDSCAPE SERIES



Satellite Speakers

Sonance Landscape Series satellite speakers are designed borrowing proven successful performance features of other Sonance products. With new larger Klippel distortion treated drivers as seen in VP Extreme and the same Sonance Laminated Core Transformer as Sonance Professional Series products, SLS satellites provide smooth, effortless bass and clear and natural treble.



Smooth and Powerful Bass Response

Sonance Landscape Series subwoofers are available in 305mm and 381mm in-ground or 305mm hardscape solutions. With a laminar flow port supporting the in-ground subs and the Sonance Laminated Core Transformer featured in all three subs, Sonance Landscape Series subwoofers offer the perfect punch for outdoor environments, filling the space with depth and detail.



SATELLITES



LS6T SAT



LS4T SAT

LS6T SAT Speaker
Dimensions (Dia): 165mm

LS4T SAT Speaker
Dimensions (Dia): 114mm

Sold as each

SUBWOOFERS



LS15T SUB



LS12T SUB



HS12T SUB

Sunwoofer: LS15T SUB
Overall Dimensions (WxH): 540mm x 853mm

Subwoofer: LS12T SUB
Overall Dimensions (WxH): 431mm x 740mm

Subwoofer: HS12T SUB
Dimensions (WxHxD): 410mm x 410mm x 410mm

Sold as each

SONANCE LANDSCAPE SERIES

Sonance Landscape Series has the output and sound performance required for large scale commercial applications or residential spaces, large or small.

Premium Durability and Performance



SONANCE LANDSCAPE SERIES

Weather the Elements



The Sonance Landscape Series speakers and subwoofers are designed to operate under the most extreme weather conditions, from -29 to 88 C.

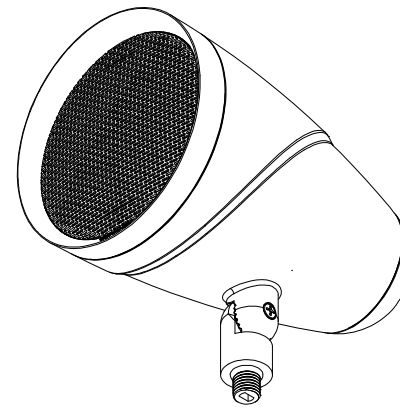
Triple sealed enclosures, waterproof connectors and marine grade components ensure SLS will stand up to the harshest elements including surf, sun, sand and snow.

Flexible Installation



Sonance Landscape Series speakers feature versatile mounting hardware options, allowing them to be positioned strategically to create the optimal sound experience

SATELLITES

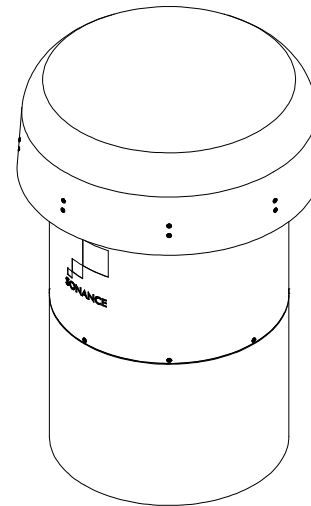


LS6T SAT

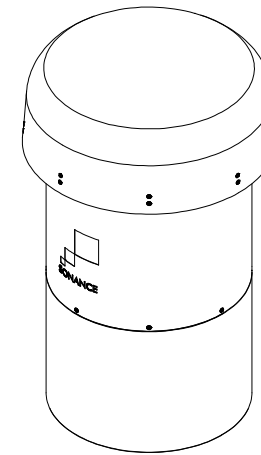


LS4T SAT

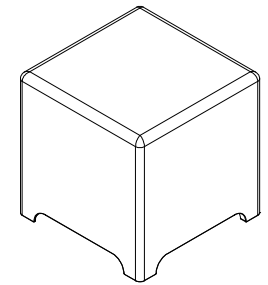
SUBWOOFERS



LS15T SUB



LS12T SUB



HS12T SUB

SONARRAY

SONARRAY SR1 is a satellite and subwoofer speaker system that raises the bar on affordable outdoor audio. The SR1 system delivers amazing sound quality and perfectly even volume levels throughout the space. SONARRAY brings a whole new level of atmosphere and ambiance to backyard entertaining.

Perfect Quality, Perfect Coverage



Sonarray is a complete landscape system designed to cover areas of 185 to 232 square meters of listening space. Beginning with 8 satellite speakers, one in-ground subwoofer and a single amplifier, the system can expand to an additional 8 speakers and a second subwoofer for a total of 16 speakers and 2 subwoofers on a single amplifier.



SONARRAY

Satellite Speakers

SONARRAY SR1 includes eight satellite speakers that feature full-range drivers to deliver crystal clear sound. By positioning the satellites around the perimeter of the backyard facing inwards, the space is enveloped in high quality sound at the perfect volume, without loud zones or dead spots.

Subwoofer

The SONARRAY SR1 features an 203mm dual voice coil subwoofer, which delivers incredibly smooth bass. The SR1's subwoofer radiates sound throughout the same area as the eight satellite speakers, pairing even bass with breathtaking fidelity and clarity.

Bring It All Together

The last piece of SONARRAY SR1 is the SR 2-125 amplifier. With presets designed for SONARRAY SR1, and tested for any environment, the SR 2-125 perfectly tunes and balances the SONARRAY SR1 System. A single SR 2-125 amplifier will support an SR1 System of 8 speakers and 1 subwoofer or can support an expanded system for greater area coverage. Anywhere from 8 speakers and 1 subwoofer up to 16 speakers and 2 subwoofers can be configured on a single SR 2-125 amplifier.



SONARRAY SR1 SYSTEM



SONARRAY SR1 System with SR 2-125 Amplifier

SONARRAY SR1 System without Amplifier

Sold as systems

SONARRAY SR1 can be expanded for up to 16 speakers and 2 subwoofers on a single amplifier.

SR 2-125 AMPLIFIER



Amplifier: SR 2-125

Dimensions with feet (WxHxD): 219mm x 54mm x 427mm

Sold as each

SONARRAY SR1 SAT 4-PACK



SR1 SAT 4-PACK

Overall Dimensions (LxDia): 165mm x 105mm

Sold as a 4-pack

SONARRAY SR1 SUB



Subwoofer: SR1SUB

Overall Dimensions (LxDia): 559mm x 381mm

Sold as each

SONARRAY

Great in backyards and patios, the SONARRAY system of satellite speakers, subwoofer, and SR 2-125 Amplifier creates crystal clear audio emanating from everywhere, and raises the bar on affordable outdoor audio.

Product Features



The satellite and subwoofer are finished in a neutral earth tone, allowing them to camouflage within the plants and foliage of your outdoor area.



MARINERS AND ROCKS

Sonance has a range of high performance outdoor speakers for any traditional installation. Rock speakers and subwoofers in natural colors and textures are designed to hide in garden beds. Mariner speakers are perfect for courtyards and patios. Extreme in-wall and in-ceiling speakers are great for outdoor rooms, under eaves and demanding marine applications.

Sonance Outdoor Speakers



Sonance Mariner outdoor speakers feature the same award-winning technology utilized in today's Visual Performance speakers. All Mariner speakers sport a sleek modern look, available in black or white color options. With seven different models to choose from, there is a speaker to suit nearly any outdoor or marine applications and the most critical ear.



MARINERS AND ROCKS



Mariners

Sonance Mariner speakers feature an innovative front-mounted terminal connection that not only makes wiring easier, it safeguards the speaker terminals against moisture and the elements. Mariner speakers feature an exclusive Fastmount® bracket system that enables simple push and lock to fasten each speaker into place—no threaded knobs or extra hardware necessary. Once mounted, the speaker can be easily pivoted to direct the sound where you want it, and they will stay where you position them and not droop or slip over time. Finished with a perfect fit trim-less grille engineered to remain securely in place, Mariner speakers will contribute a sleek and clean look to any outdoor space.



Rocks

Sonance rock speakers utilize a durable weather-resistant construction that is built to withstand the harshest outdoor environments. Featuring waterproof drivers, the Sonance RK63 and RK83 deliver clean articulate sound while standing up to the elements. For those wanting even more impressive sound outdoors, the optional RK10W subwoofer features the same durable construction with a 254mm polypropylene cone woofer for added bass response.

MARINERS



MARINER 54



MARINER 54 SST



MARINER 56



MARINER 64



MARINER 64 SST



MARINER 66



MARINER 86

Small Speakers: Mariner 54, Mariner 54 SST, Mariner 56
Dimensions (WxHxD): 162mm x 256mm x 144mm

Medium Speakers: Mariner 64, Mariner 64 SST, Mariner 66
Dimensions (WxHxD): 191mm x 308mm x 174mm

Large Speaker: Mariner 86
Dimensions (WxHxD): 229mm x 356mm x 218mm

Sold in pairs (Except for Mariner 54 SST / Mariner 64 SST)
Available in black and white

ROCKS



RK63



RK83

Small Rock Speaker: RK63
Dimensions (WxHxD): 349mm x 279mm x 279mm

Large Rock Speaker: RK83
Dimensions (WxHxD): 438mm x 318mm x 356mm

Sold in pairs
Available in brown and granite

ROCK SUBWOOFER



RK10W Woofer

Rock Woofer: RK10W
Dimensions (WxHxD): 492mm x 429mm x 365mm

Sold as each
Available in brown and granite